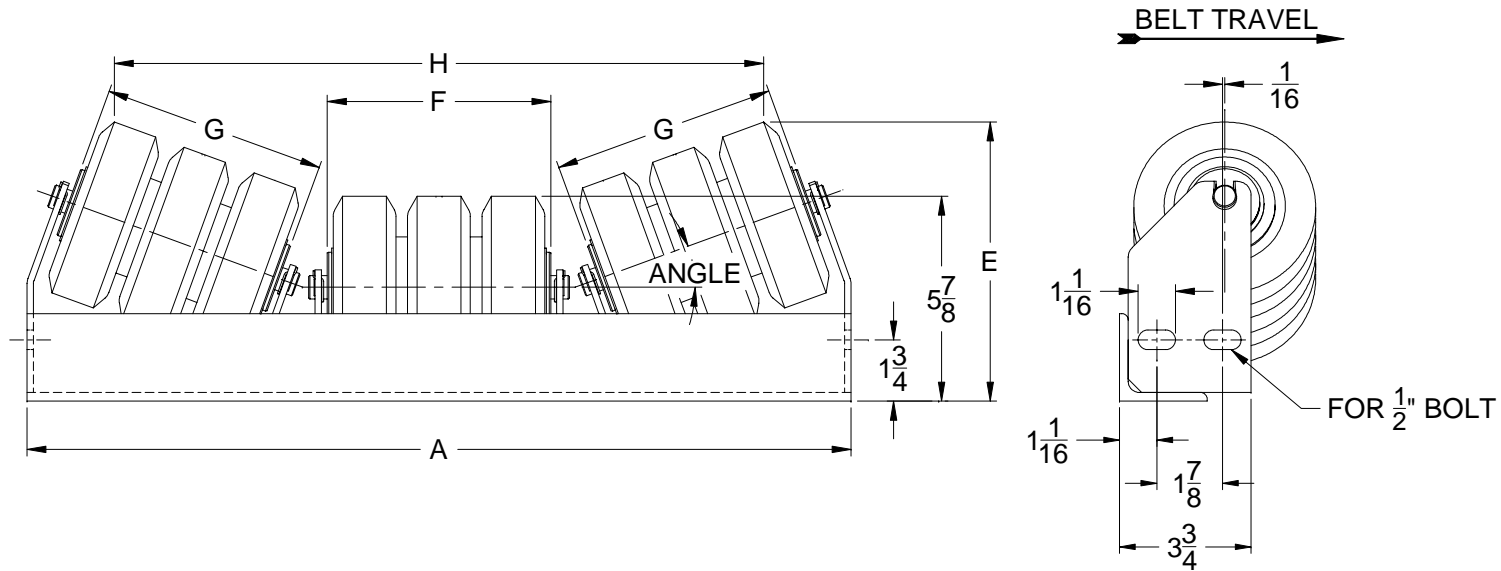




STEPHENS-ADAMSON CONVEYING

Note: Dimensions for REFERENCE ONLY and are SUBJECT TO CHANGE WITHOUT NOTICE.
Contact Stephens-Adamson Conveying for Certified Dimensions Prints.

CEMA "B" 2200 Series Channel Inset Impact Idlers - Sealed for Life



'Dimensions in Inches'

Belt Width	Roller Assembly Part Number	R711-2205-20°-Troughing Idler Dimensions 5-3/16" dia. Rolls					Assembly Weight
		A	E	F	G	H	
18"	225-18-AM-C120	23-1/2	8	6-3/8	6-3/8	18-1/2	35 lbs.
20"	225-20-AM-C120	25-1/2	8-1/8	7-9/16	6-27/32	20-9/16	36 lbs.
24"	225-24-AM-C120	29-1/2	8-27/32	7-9/16	8-15/16	24-1/2	42 lbs.
30"	225-30-AM-C120	35-1/2	9-9/16	8-15/16	11-1/32	29-13/16	50 lbs.
36"	225-36-AM-C120	41-1/2	10-1/4	11-1/32	13-1/8	35-27/32	59 lbs.
42"	225-42-AM-C120	47-1/2	10-1/4	17-9/32	13-1/8	42-1/8	71 lbs.
48"	225-48-AM-C120	53-1/2	10-1/4	22-3/4	13-1/8	47-9/16	75 lbs.

STEPHENS-ADAMSON CONVEYING

www.Stephens-Adamson.com

CANADA

Telephone: 1-800-510-3802
Fax: 1-613-967-8128

U.S.A.

Telephone: 1-800-638-6788
Fax: 1-800-866-1438

INTERNATIONAL

Telephone: 1-613-962-3411
Fax: 1-613-967-8128

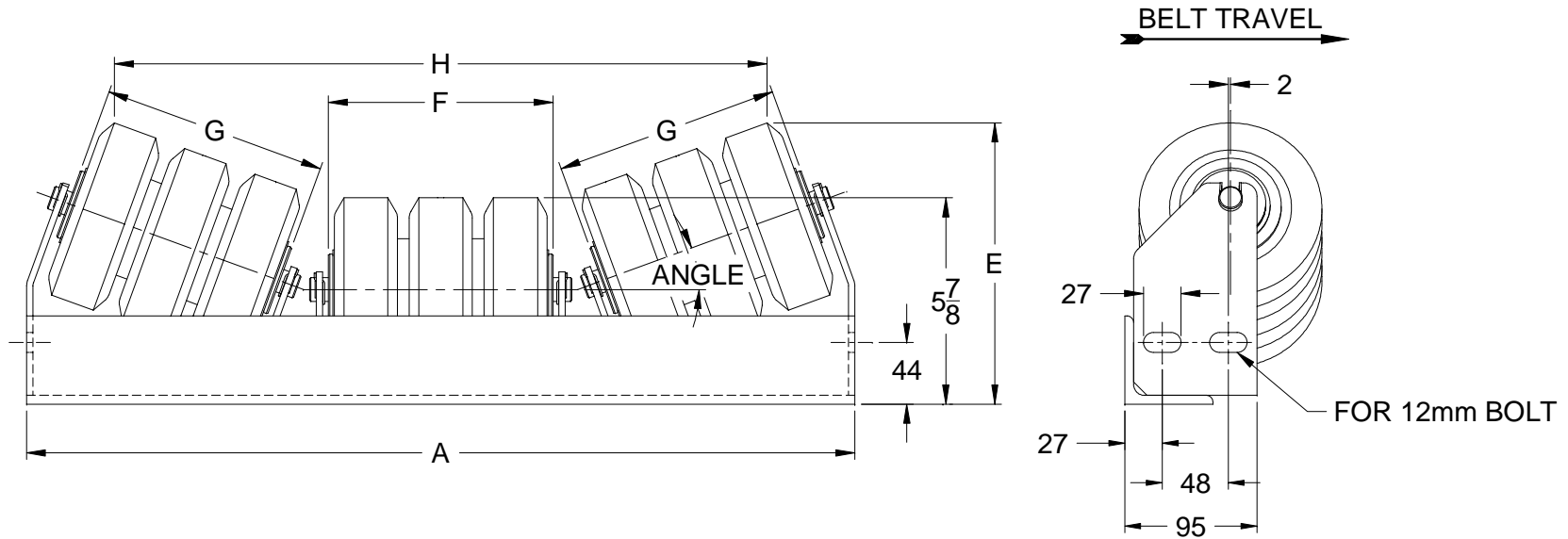
DS-E-IDL-00-138



STEPHENS-ADAMSON CONVEYING

Note: Dimensions for REFERENCE ONLY and are SUBJECT TO CHANGE WITHOUT NOTICE.
Contact Stephens-Adamson Conveying for Certified Dimensions Prints.

CEMA "B" 2200 Series Channel Inset Impact Idlers - Sealed for Life



'Dimensions in Millimeters'

Belt Width	Roller Assembly Part Number	R711-2205-20°-Troughing Idler Dimensions 132 mm dia. Rolls					Assembly Weight
		A	E	F	G	H	
457 mm	225-18-AM-C120	597	203	162	162	470	16 kg.
508 mm	225-20-AM-C120	648	206	192	174	522	16 kg.
610 mm	225-24-AM-C120	749	225	192	227	622	19 kg.
762 mm	225-30-AM-C120	902	243	227	280	757	23 kg.
914 mm	225-36-AM-C120	1054	260	280	333	910	27 kg.
1067 mm	225-42-AM-C120	1207	260	439	333	1070	32 kg.
1219 mm	225-48-AM-C120	1359	260	578	333	1208	34 kg.

STEPHENS-ADAMSON CONVEYING

www.Stephens-Adamson.com

CANADA
Telephone: 1-800-510-3802
Fax: 1-613-967-8128

U.S.A.
Telephone: 1-800-638-6788
Fax: 1-800-866-1438

INTERNATIONAL
Telephone: 1-613-962-3411
Fax: 1-613-967-8128

DS-E-IDL-00-138