

"ALL DIMENSIONS IN INCHES"

R711-2204-20° Trough Angle (4" dia. Rubber Tires)								
BELT WIDTH	ASS'Y PART No. "TOP MOUNT"	ASS'Y PART No. "BOTTOM MOUNT"	DIMENSIONS					WEIGHT (lbs.)
			"A"	"E"	"F"	"G"	"H"	
18"	224-18-AM-T120	224-18-AM-B120	27	7-3/8	6-3/8	6-3/8	18-3/4	37
20"	224-20-AM-T120	224-20-AM-B120	29	7-1/2	7-9/16	6-13/16	20-7/8	40
24"	224-24-AM-T120	224-24-AM-B120	33	8-1/4	7-9/16	8-15/16	24-3/4	45
30"	224-30-AM-T120	224-30-AM-B120	39	9	8-15/16	11	30	52
36"	224-36-AM-T120	224-36-AM-B120	45	9-5/8	11	13-1/8	36	60
42"	224-42-AM-T120	224-42-AM-B120	51	9-5/8	17-1/4	13-1/8	42-1/4	71
48"	224-48-AM-T120	224-48-AM-B120	57	9-5/8	22-1/4	13-1/8	47-3/4	78

R711-2204-35° Trough Angle (4" dia. Rubber Tires)								
BELT WIDTH	ASS'Y PART No. "TOP MOUNT"	ASS'Y PART No. "BOTTOM MOUNT"	DIMENSIONS					WEIGHT (lbs.)
			"A"	"E"	"F"	"G"	"H"	
18"	224-18-BM-T120	224-18-BM-B120	27	8-3/4	6-3/8	6-3/8	17	38
20"	224-20-BM-T120	224-20-BM-B120	29	9	7-9/16	6-13/16	19	41
24"	224-24-BM-T120	224-24-BM-B120	33	10-1/4	7-9/16	8-15/16	22-3/8	46
30"	224-30-BM-T120	224-30-BM-B120	39	11-3/8	8-15/16	11	27-1/8	54
36"	224-36-BM-T120	224-36-BM-B120	45	12-5/8	11	13-1/8	32-5/8	63
42"	224-42-BM-T120	224-42-BM-B120	51	12-5/8	17-1/4	13-1/8	38-7/8	73
48"	224-48-BM-T120	224-48-BM-B120	57	12-5/8	22-1/4	13-1/8	44-3/8	81

R711-2205-20° Trough Angle (5-3/16" dia. Rubber Tires)								
BELT WIDTH	ASS'Y PART No. "TOP MOUNT"	ASS'Y PART No. "BOTTOM MOUNT"	DIMENSIONS					WEIGHT (lbs.)
			"A"	"E"	"F"	"G"	"H"	
18"	225-18-AM-T120	225-18-AM-B120	27	8	6-3/8	6-3/8	18-1/2	40
20"	225-20-AM-T120	225-20-AM-B120	29	8-1/8	7-9/16	6-13/16	20-5/8	42
24"	225-24-AM-T120	225-24-AM-B120	33	8-7/8	7-9/16	8-15/16	24-1/2	48
30"	225-30-AM-T120	225-30-AM-B120	39	9-1/2	8-15/16	11	29-7/8	57
36"	225-36-AM-T120	225-36-AM-B120	45	10-1/4	11	13-1/8	35-7/8	66
42"	225-42-AM-T120	225-42-AM-B120	51	10-1/4	17-1/4	13-1/8	42-1/8	78
48"	225-48-AM-T120	225-48-AM-B120	57	10-1/4	22-1/4	13-1/8	47-5/8	85

R711-2205-35° Trough Angle (5-3/16" dia. Rubber Tires)								
BELT WIDTH	ASS'Y PART No. "TOP MOUNT"	ASS'Y PART No. "BOTTOM MOUNT"	DIMENSIONS					WEIGHT (lbs.)
			"A"	"E"	"F"	"G"	"H"	
18"	225-18-BM-T120	225-18-BM-B120	27	9-1/4	6-3/8	6-3/8	16-1/2	41
20"	225-20-BM-T120	225-20-BM-B120	29	9-5/8	7-9/16	6-13/16	18-3/8	43
24"	225-24-BM-T120	225-24-BM-B120	33	10-3/4	7-9/16	8-15/16	21-3/4	50
30"	225-30-BM-T120	225-30-BM-B120	39	12	8-15/16	11	26-5/8	59
36"	225-36-BM-T120	225-36-BM-B120	45	13-1/8	11	13-1/8	32-1/8	69
42"	225-42-BM-T120	225-42-BM-B120	51	13-1/8	17-1/4	13-1/8	38-3/8	81
48"	225-48-BM-T120	225-48-BM-B120	57	13-1/8	22-1/4	13-1/8	43-7/8	88

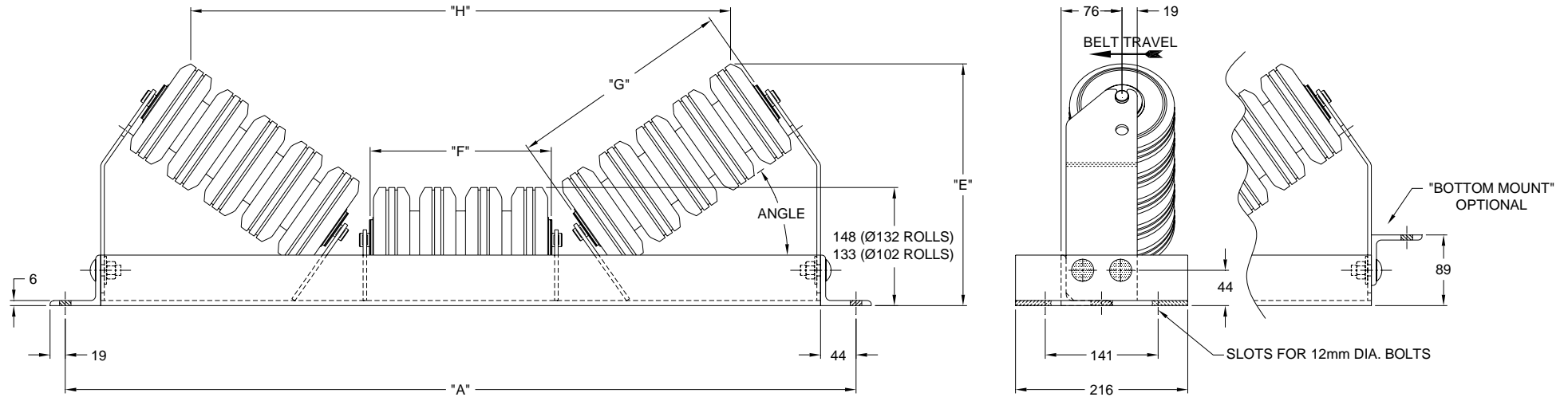


STEPHENS-ADAMSON CONVEYOR COMPONENTS
www.Stephens-Adamson.com

CANADA
Telephone: 1-800-510-3802
Fax: 1-613-967-8128

U.S.A.
Telephone: 1-800-638-6788
Fax: 1-800-866-1438

INTERNATIONAL
Telephone: 1-613-962-3411
Fax: 1-613-967-8128



"ALL DIMENSIONS IN MILLIMETERS"

R711-2204-20° Trough Angle (102 dia. Rubber Tires)								
BELT WIDTH	ASS'Y PART No. "TOP MOUNT"	ASS'Y PART No. "BOTTOM MOUNT"	DIMENSIONS					WEIGHT (Kg.)
			"A"	"E"	"F"	"G"	"H"	
457	224-18-AM-T120	224-18-AM-B120	686	187	162	162	476	17
508	224-20-AM-T120	224-20-AM-B120	737	192	192	174	530	18
610	224-24-AM-T120	224-24-AM-B120	838	209	192	227	628	20
762	224-30-AM-T120	224-30-AM-B120	991	227	227	280	763	24
914	224-36-AM-T120	224-36-AM-B120	1143	245	280	333	915	27
1067	224-42-AM-T120	224-42-AM-B120	1295	245	439	333	1074	32
1219	224-48-AM-T120	224-48-AM-B120	1448	245	578	333	1213	36

R711-2204-35° Trough Angle (102 dia. Rubber Tires)									
BELT WIDTH	ASS'Y PART No. "TOP MOUNT"	ASS'Y PART No. "BOTTOM MOUNT"	DIMENSIONS					WEIGHT (Kg.)	
			"A"	"E"	"F"	"G"	"H"		
457	224-18-BM-T120	224-18-BM-B120	686	223	162	162	431	17	
508	224-20-BM-T120	224-20-BM-B120	737	230	192	174	482	18	
610	224-24-BM-T120	224-24-BM-B120	838	260	192	227	567	21	
762	224-30-BM-T120	224-30-BM-B120	991	290	227	280	690	24	
914	224-36-BM-T120	224-36-BM-B120	1143	320	280	333	829	28	
1067	224-42-BM-T120	224-42-BM-B120	1295	320	439	333	989	33	
1219	224-48-BM-T120	224-48-BM-B120	1448	320	578	333	1128	37	

R711-2205-20° Trough Angle (132 dia. Rubber Tires)								
BELT WIDTH	ASS'Y PART No. "TOP MOUNT"	ASS'Y PART No. "BOTTOM MOUNT"	DIMENSIONS					WEIGHT (Kg.)
			"A"	"E"	"F"	"G"	"H"	
457	225-18-AM-T120	225-18-AM-B120	686	202	162	162	470	18
508	225-20-AM-T120	225-20-AM-B120	737	206	192	174	522	19
610	225-24-AM-T120	225-24-AM-B120	838	225	192	227	623	22
762	225-30-AM-T120	225-30-AM-B120	991	243	227	280	758	26
914	225-36-AM-T120	225-36-AM-B120	1143	261	280	333	911	30
1067	225-42-AM-T120	225-42-AM-B120	1295	261	439	333	1069	36
1219	225-48-AM-T120	225-48-AM-B120	1448	261	578	333	1208	39

R711-2205-35° Trough Angle (132 dia. Rubber Tires)									
BELT WIDTH	ASS'Y PART No. "TOP MOUNT"	ASS'Y PART No. "BOTTOM MOUNT"	DIMENSIONS					WEIGHT (Kg.)	
			"A"	"E"	"F"	"G"	"H"		
457	225-18-BM-T120	225-18-BM-B120	686	236	162	162	418	19	
508	225-20-BM-T120	225-20-BM-B120	737	243	192	174	467	20	
610	225-24-BM-T120	225-24-BM-B120	838	274	192	227	554	22	
762	225-30-BM-T120	225-30-BM-B120	991	304	227	280	676	27	
914	225-36-BM-T120	225-36-BM-B120	1143	335	280	333	816	31	
1067	225-42-BM-T120	225-42-BM-B120	1295	335	439	333	976	37	
1219	225-48-BM-T120	225-48-BM-B120	1448	335	578	333	1115	40	



STEPHENS-ADAMSON CONVEYOR COMPONENTS
www.Stephens-Adamson.com

CANADA
Telephone: 1-800-510-3802
Fax: 1-613-967-8128

U.S.A.
Telephone: 1-800-638-6788
Fax: 1-800-866-1438

INTERNATIONAL
Telephone: 1-613-962-3411
Fax: 1-613-967-8128