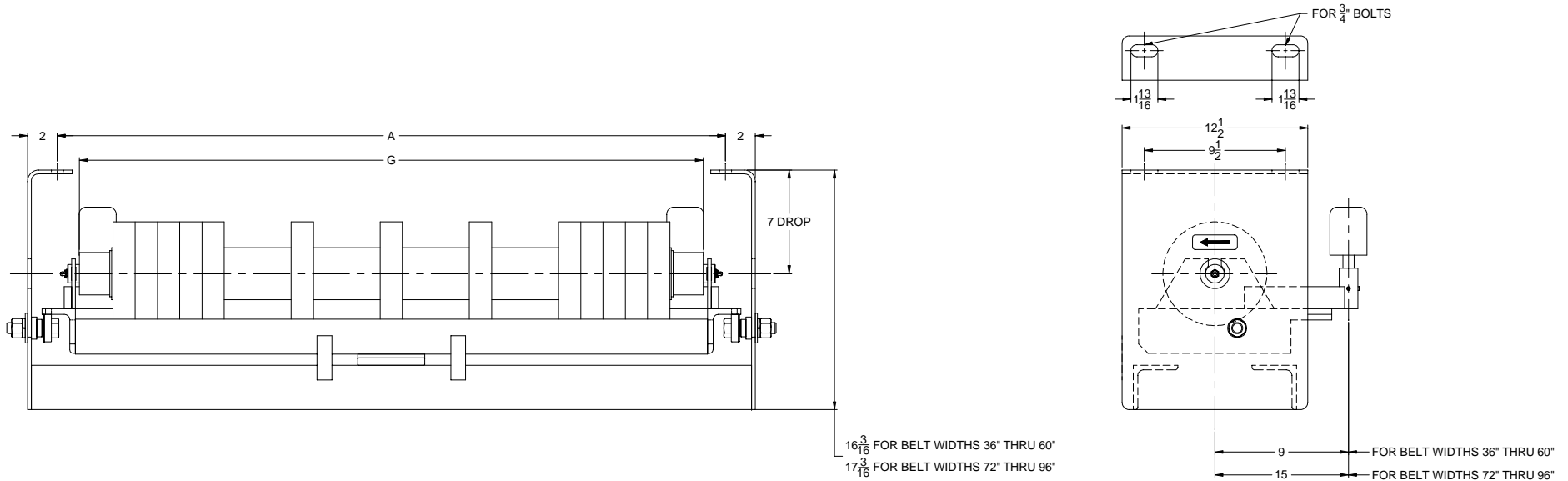




STEPHENS-ADAMSON CONVEYING

Note: Dimensions for REFERENCE ONLY and are SUBJECT TO CHANGE WITHOUT NOTICE.
Contact Stephens-Adamson Conveying for Certified Dimensions Prints.

CEMA "E" 6320 Series 7" Drop ST-PA Rubber Disc Return Idlers - Regreasable



'Dimensions in Inches'

Belt Width	Roller Assembly Part Number	R710-6327-7-ST-PA Rubber Disc Return Idler Dimensions 7" dia. Rolls		Assembly Weight
		A	G	
36"	607-36-05-0200	45	42	231 lb.
42"	607-42-05-0200	51	48	251 lb.
48"	607-48-05-0200	57	54	271 lb.
54"	607-54-05-0200	63	60	290 lb.
60"	607-60-05-0200	69	66	310 lb.
72"	607-72-05-0200	81	78	456 lb.
84"	607-84-05-0200	93	90	511 lb.
96"	607-96-05-0200	105	102	565 lb.

STEPHENS-ADAMSON CONVEYING

www.Stephens-Adamson.com

CANADA
Telephone: 1-800-510-3802
Fax: 1-613-967-8128

U.S.A.
Telephone: 1-800-638-6788
Fax: 1-800-866-1438

INTERNATIONAL
Telephone: 1-613-962-3411
Fax: 1-613-967-8128

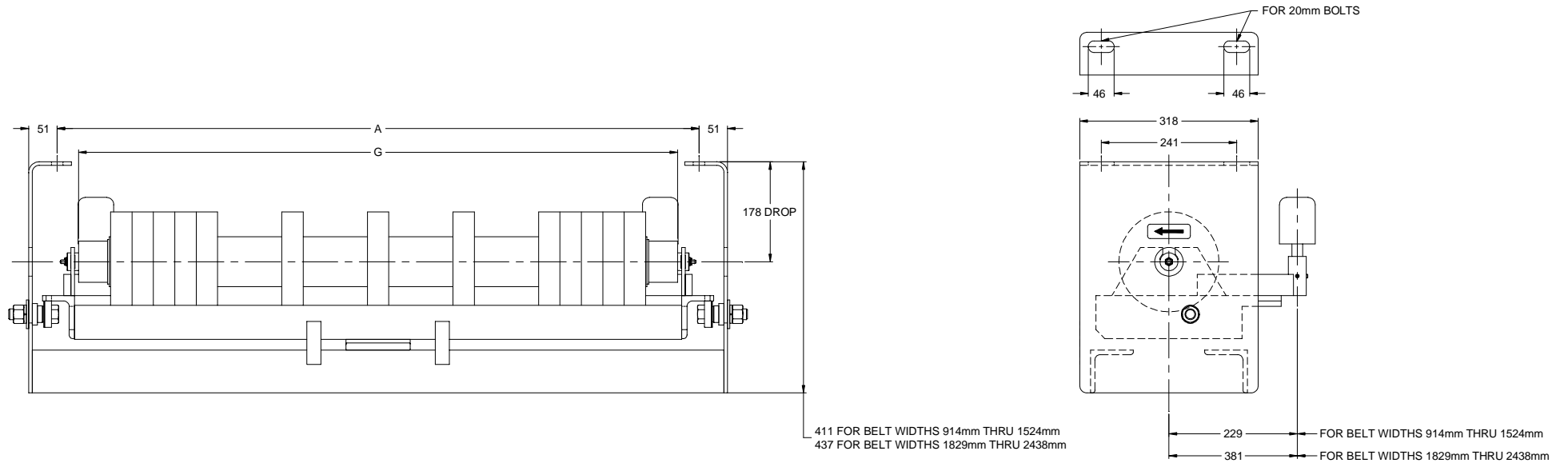
DS-E-IDL-00-140



STEPHENS-ADAMSON CONVEYING

Note: Dimensions for REFERENCE ONLY and are SUBJECT TO CHANGE WITHOUT NOTICE.
Contact Stephens-Adamson Conveying for Certified Dimensions Prints.

CEMA "E" 6320 Series 178 mm Drop ST-PA Rubber Disc Return Idlers - Regreasable



'Dimensions in Millimeters'

Belt Width	Roller Assembly Part Number	R710-6327-7-ST-PA Rubber Disc Return Idler Dimensions 178 mm dia. Rolls		Assembly Weight
		A	G	
914 mm	607-36-05-0200	1143	1067	105 kg.
1067 mm	607-42-05-0200	1295	1219	114 kg.
1219 mm	607-48-05-0200	1448	1372	123 kg.
1372 mm	607-54-05-0200	1600	1524	132 kg.
1524 mm	607-60-05-0200	1753	1676	141 kg.
1829 mm	607-72-05-0200	2057	1981	207 kg.
2134 mm	607-84-05-0200	2362	2286	232 kg.
2438 mm	607-96-05-0200	2667	2591	256 kg.

STEPHENS-ADAMSON CONVEYING

www.Stephens-Adamson.com

CANADA
Telephone: 1-800-510-3802
Fax: 1-613-967-8128

U.S.A.
Telephone: 1-800-638-6788
Fax: 1-800-866-1438

INTERNATIONAL
Telephone: 1-613-962-3411
Fax: 1-613-967-8128

DS-E-IDL-00-140